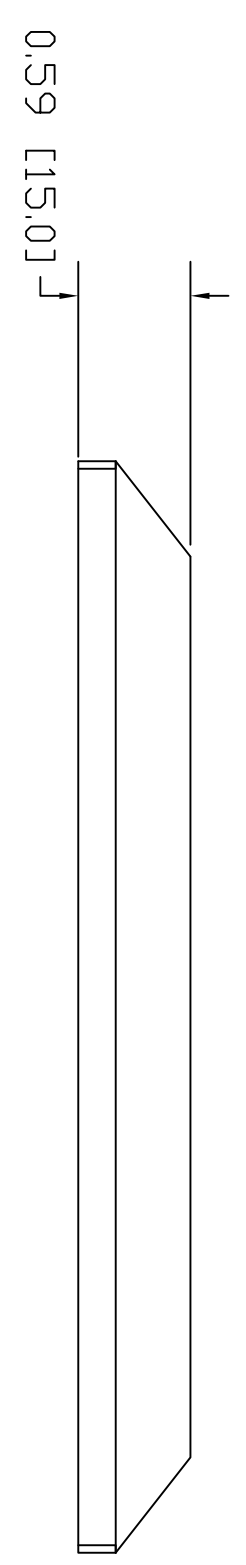
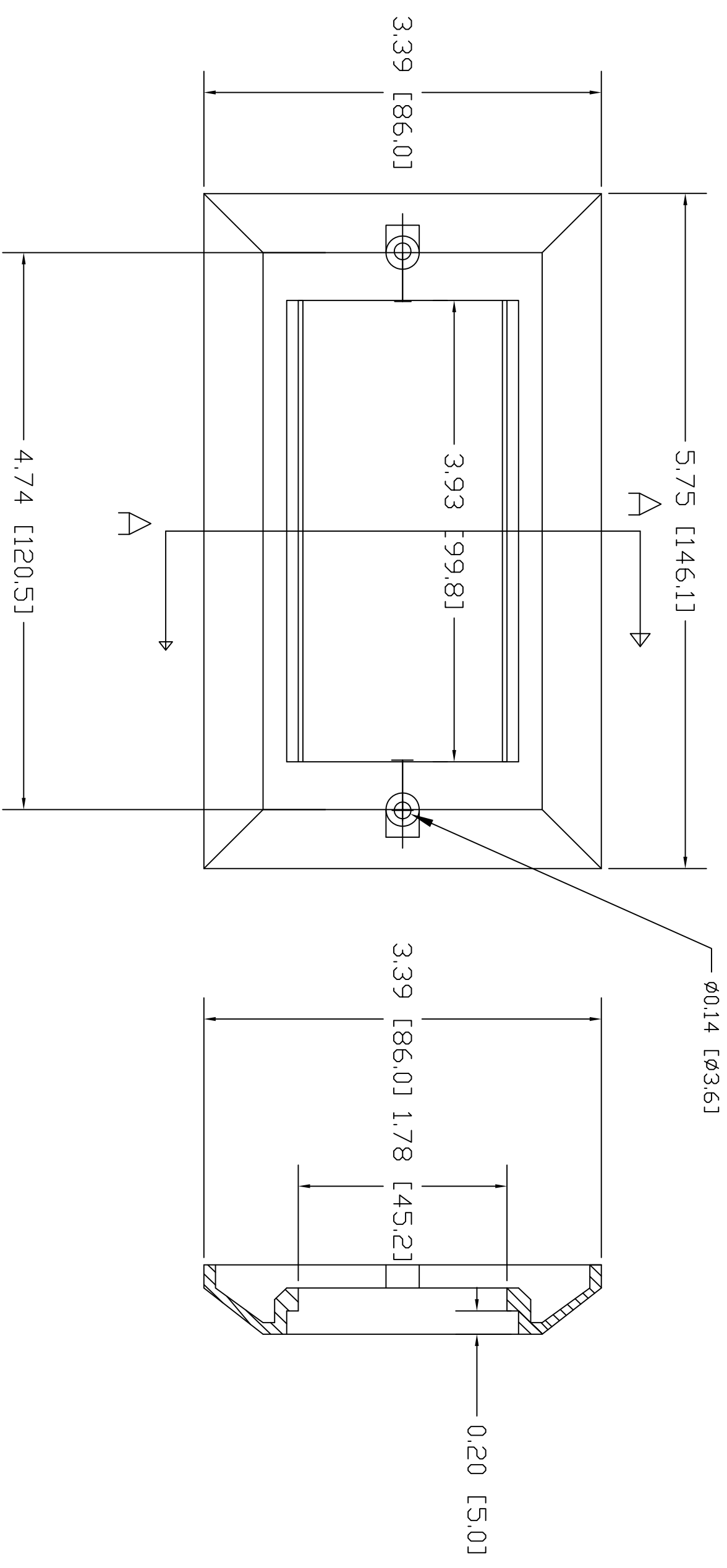


CATALOG NUMBER	DESCRIPTION
EBM2	2-GANG BEVELLED FRAME 50X50mm



- NOTES:
1. COLOR: WHITE
  2. EACH FRAME COMES WITH TWO (2) 3.5X25mm PAN HEAD PHILIPS SCREWS.
  3. SOLD AS A BOX OF 20.
  4. SPECIFICATIONS SUBJECT TO CHANGE WITHOUT NOTICE.



REV.	ECN	DATE	DESCRIPTION	CHG BY	APPD BY
1	18003	09/12/12	INITIAL RELEASE	MMA	

Created on AUTOCAD

**HUBBELL**  
Hubbell Premise Wiring  
HUBBELL INCORPORATED (Delaware)  
23 CLARA DRIVE, SUITE 103 MVSTIC, CT 06355

**DOUBLE GANG BEVELLED FACEPLATE, WHITE**

TITLE: DOUBLE GANG BEVELLED FACEPLATE, WHITE

PROJECT REFERENCE: 027-12

MATERIAL: ABS

DRAWN BY: M. ABBY 08/15/12

CHECKED BY:

APPROVED BY:

SIZE: C

DRAWING NO.: HWS14136C

SCALE: N/A

SHEET 1 OF 1

REV. 1

DIMENSIONING AND TOLERANCE PER ANSI Y14.5M-1982 UNLESS OTHERWISE SPECIFIED, DIMENSIONS ARE IN INCHES (MM). TOLERANCES: .XX = ±.01 (.25) .XXX = ±.005 (.127) .XXXX = ±.0025 (.0635) ANGLE TOL ±.1°

IN ACCEPTING OUR DRAWINGS, BLUEPRINTS, OR SUPPORTING DOCUMENTATION FOR QUOTATION OR OTHER PURPOSES, YOU AGREE NOT TO DISCLOSE TO OTHERS THE IDEAS, INFORMATION, OR DESIGNS SHOWN HEREIN, AND THAT YOU WILL MAKE NO USE OF SAME WITHOUT PERMISSION